



**T&E
TOOLS**
www.tetools.com



Godfather Tool Boxes & Accessories



**T&E
TOOLS**
The Professional Advantage



www.tetools.com
www.sulco.co.nz

Contents:

Godfather Mega Series

- Godfather Mega Series Features 4 - 5
- Godfather 76" Series 6 - 7
- Godfather 47" Series 8
- Godfather 27" Series 9
- 34" Heavy-Duty Road Maintenance Tool Chest 10
- 32" Heavy-Duty Wall Cabinet 11

Godfather Pro Series

- Godfather Pro 52" Combo 13
- Godfather Pro 26" Series 14 - 15
- Godfather Pro 41" Series 16
- Godfather Pro Utility Carts 17
- Godfather Work Bench 20

Magnetic Tool Storage Accessories 18 - 19

Godfather Series Specifications 22 - 31

Godfather Mega Series

The Superior Tool Box Solution



Godfather Mega Series Features:

- Tool box frame constructed from 1.5mm steel for a reinforced chassis
- Tool box constructed with dual skin walls for rigidity and strength
- Full 26" & 21" deep extending drawers with Slide & Glide technology
- All drawers fitted with heavy-duty drawer slides rated at 80kg per drawer and 130kg on extra depth drawers
- All multi piece tool box stations have permanent fixation systems for increased health and safety
- Tool boxes fitted with tubular locks with single key access
- Extreme-duty casters as standard on 27" & 47"
- Spring loaded casters on 76" tool box
- Stainless steel top on 76" roller cabinet
- Heavy-duty gas struts fitted on tool box lids



Reinforced Construction
on Lids



Heavy-Duty
Gas Struts



Heavy-Duty
Lift Handles



Heavy-Duty
Rubber Mat



Fixing Points

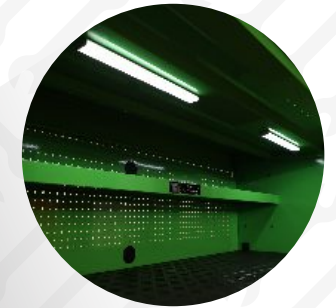


Heavy-Duty
Locking Wheels

Heavy-Duty Bar Handles



Electrical Access Points



Magnetic Lights
LED Rechargeable

Slide & Glide
Technology



Stainless Steel
Work Surface

Heavy-Duty Ball Bearing
Track Slides



Independent Suspension
For Improved Support &
Manoeuvrability



Reinforced Construction On
Extra Width Drawers





Godfather Mega 76" Series

3000mm x 770mm x 1772mm / 914kg

General Features:

- Units powder coated with UV protection
- Constructed from 1.5mm gauge steel frame with 1.2mm gauge steel drawers
- High security tubular locks
- Slide & Glide drawer technology
- Anti slip drawer liners
- High security tubular locks
- 200lb(90kg) / 320lb(145kg) drawer capacity
- Easy clean drawer pulls

Colours with silver trim



PHANTOM BLACK (-BK)



ROYAL BLUE (-BU)

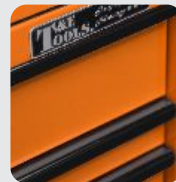


RACING RED (-RD)

Colours with black trim

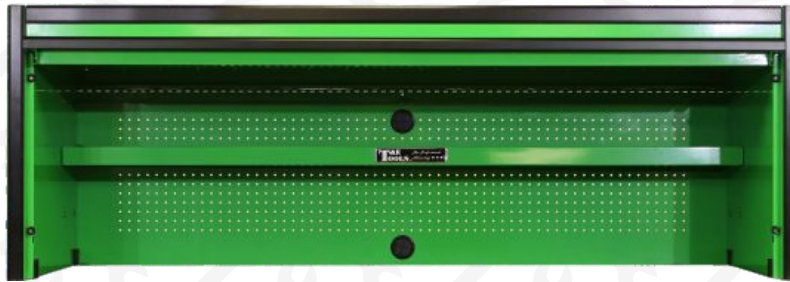


ACID GREEN (-GR)



ELECTRIC ORANGE (-OR)

- No. GF7601BK
- No. GF7601BU
- No. GF7601RD
- No. GF7601GR
- No. GF7601OR



76" Godfather Hutch

Features:

- 2 x Rechargeable LED interior lights
- 2 x Electrical access points
- 3 Position shelf
- High security up & over door
- Perforated rear wall with 42pc hook set included

1932mm x 770mm x 665mm / 120kg

- No. GF7622BK
- No. GF7622BU
- No. GF7622RD
- No. GF7622GR
- No. GF7622OR



76" Godfather 22 Drawer Roller Cabinet

Features:

- 22 Drawers with liners
- 6 Drawers double slide with 400lb(182kg),
- 2 x 49"(1245mm) drawers with re-enforced tray bottom
- Stainless steel work top
- Heavy duty top rubber mat
- All drawers 26"(660mm) deep
- 2 x Exterior handles
- 6 x Heavy duty 6" easy glide wheels with independent suspension, 4 with brakes

1932mm x 770mm x 1107mm / 500kg



76" Godfather 4 Drawer Left Hand Side Cabinet

- No. GF76L4BK
- No. GF76L4BU
- No. GF76L4RD
- No. GF76L4GR
- No. GF76L4OR

Features:

- Electrical access point
- 2 x Multi positional shelves
- Non slip drawer & shelve liner
- 2 x Single & 2 x Double slide drawers
- 2 x Heavy duty 6" easy glide wheels with brakes

528mm x 770mm x 1772mm / 147kg



76" Godfather 4 Drawer Right Hand Side Cabinet

- No. GF76R4BK
- No. GF76R4BU
- No. GF76R4RD
- No. GF76R4GR
- No. GF76R4OR

Features:

- Electrical access point
- 2 x Multi positional shelves
- Non slip drawer & shelve liner
- 2 x Single & 2x Double slide drawers
- 2 x Heavy duty 6" easy glide wheels with brakes

528mm x 770mm x 1772mm / 147kg



Godfather Mega 47" Series

1204mm x 611mm x 1681mm / 320kgs

General Features:

- 18 drawers, 3 full width all with soft close
- 2 double and 2 extra large depth drawers
- Slide & Glide drawer technology with self closing drawer slides
- Anti slip drawer liners
- High security tubular locks
- Drawer weight capacity single slide 80kg / double slides 130kg
- Easy clean drawer pulls
- 5" Extreme-duty casters complete with brakes



47" Godfather 8 Drawer Top Chest

No. GF4708BK

No. GF4708BU

No. GF4708RD

No. GF4708GR

No. GF4708OR

Features:

- 6 Standard drawers & 2 Full width drawers
 - 4 Carry handles
 - 2 Electrical access points
 - Non slip heavy-duty rubber mat
 - Reinforced lid with 2 gas struts
- 1204mm x 611mm x 624mm / 130kg



47" Godfather 11 Drawer Roller Cabinet

No. GF4711BK

No. GF4711BU

No. GF4711RD

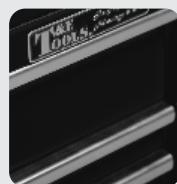
No. GF4711GR

No. GF4711OR

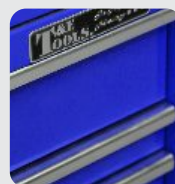
Features:

- 1 Full width drawer
 - 6 Standard drawers
 - 2 Double & 2 Extra deep drawers
- 1204mm x 611mm x 1057mm / 190kg

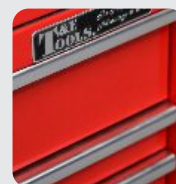
Colours with silver trim



PHANTOM BLACK
(-BK)



ROYAL BLUE
(-BU)

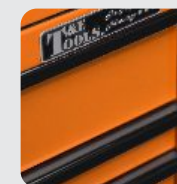


RACING RED
(-RD)

Colours with black trim



ACID GREEN
(-GR)



ELECTRIC ORANGE
(-OR)

Godfather Mega 27" Series

712mm x 611mm x 1688mm / 200kg

General Features:

- 12 Drawers, all with soft close
- 1 Double depth drawer & 1 Extra large depth drawer
- Slide & Glide drawer technology with self closing drawer slides
- Anti slip drawer liners
- High security tubular locks
- Drawer weight capacity
 - Single slide 80kg /
 - Double slides 130kg
- Easy clean drawer pulls
- 5" Extreme-duty casters



27" Godfather 5 Drawer Top Chest

- No. GF2705BK
- No. GF2705BU
- No. GF2705RD
- No. GF2705GR
- No. GF2705OR

Features:

- 4 Carry handles
 - 5 Standard drawers
 - 2 Electrical access points
 - Non slip heavy-duty rubber mat
 - Reinforced lid with 2 gas struts
 - Anti slip drawer liner
- 712mm x 611mm x 624mm / 80kg

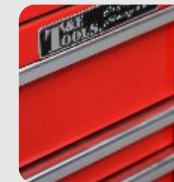
27" Godfather 7 Drawer Roll Cabinet

- No. GF2707BK
- No. GF2707BU
- No. GF2707RD
- No. GF2707GR
- No. GF2707OR

Features:

- Twin side handles
 - 5 Standard drawers, 1 Double drawer & 1 Extra deep drawer
 - Anti slip drawer liner
- 712mm x 611mm x 1064mm / 120kg

Colours with silver trim

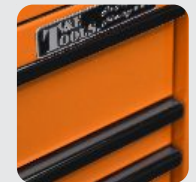


PHANTOM BLACK
(-BK)

ROYAL BLUE
(-BU)

RACING RED
(-RD)

Colours with black trim



ACID GREEN
(-GR)

ELECTRIC ORANGE
(-OR)



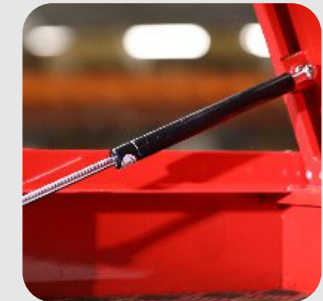
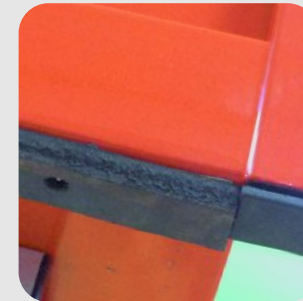
34" 6 Drawer Heavy-Duty Road Maintenance Tool Chest

General Features:

- Box depth 22" (559mm)
 - External roll cage
 - Reinforced lid with gas struts
 - Weather strip seals
 - High security tubular locks
 - 6 Drawers, 2 x 74mm deep & 4 x 48mm deep
 - Slide & Glide drawer technology
 - Anti slip drawer liners
 - 80kg Drawer weight capacity
 - Easy clean drawer pulls
 - Drop front lockable cover all drawers when in transit
 - Anti slip feet to prevent sliding
 - Box can be lifted with a forklift
- 885mm x 552mm x 700mm / 80kg

No. RB3406BK

No. RB3406RD





32" Heavy-Duty Wall Cabinet

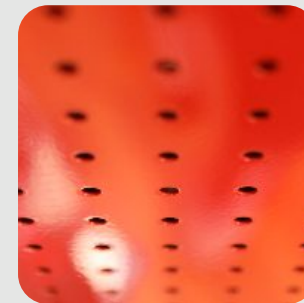
No. WC32BK

No. WC32RD

General Features:

- Cabinet depth 10" (254mm)
- High security tubular locks
- Extra strong closure magnets on doors
- 1 Drawer with Slide & Glide technology
- Anti slip drawer liner
- Fully perforated interior including doors
- Supplied with 42pc accessory hook pack
- Quick release, removable doors

840mm x 250mm x 900mm / 40kg



Godfather Pro Series

The Superior Tool Box Solution





52" Tool Hutch & Cabinet Combo

1321mm x 562mm x 1788mm / 257kg

General Features:

- All in one combo unit. No assembly required
- Supplied with accessory hook pack
- Slide & Glide drawer technology



Wooden top surface



42 piece hook pack included



52" Tool Hutch & 12 Drawer Cabinet Combo

No. GF5212BK

No. GF5212BU

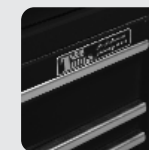
No. GF5212RD

Features:

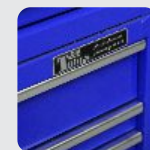
- 12 Drawers
- 2 Full width drawers, 1 extra deep
- All drawers with non slip liners
- High security tubular lock for all drawers
- Wooden top surface
- 2 x Electrical access points
- Heavy-duty rubber top roof mat
- Full polish chrome trim
- Security roller door with tubular lock
- Racing style casters two with brake

1321mm x 562mm x 1788mm / 257kg

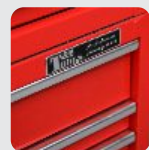
Colours with silver trim



PHANTOM BLACK (-BK)



ROYAL BLUE (-BU)



RACING RED (-RD)

Colours available**PHANTOM BLACK
(-BK)****RACING RED
(-RD)****26" 6 Drawer Deep
Top Chest****No. TC2616BK****No. TC2616RD****Features:**

- Soft close heavy-duty ball bearing slides, anti slip liners.
- 2 Deep drawers with double slide
- Heavy-duty top rubber mat
- Gas struts in lid for easy opening
- Reinforced lid construction with document holder

**Godfather Pro 26" & 41" Series**

Various combinations available

General Features:

- Our modular system helps you to create your ideal tool storage solution
- Heavy-duty rubber racing casters on roller cabinets
- Heavy-duty rubber mats on all roller cabinets & intermediate chests
- All tool boxes are powder coated
- All steel construction
- High security tubular locks
- Easy grip drawer pulls



26" 6 Drawer Top Chest

No. TC2606BK

No. TC2606RD

Features:

- Anti slip drawer liners
- Heavy-duty ball bearing slides
- 1 Deep drawer
- Heavy-duty gas struts
- Anti slip liner under the lid
- Heavy-duty lift handles
- Compact size



26" 12 Drawer Deep Top Chest

No. TC2612BK

No. TC2612RD

Features:

- Soft close heavy-duty ball bearing slides, anti slip liners
- 2 Deep drawers with double slides
- Heavy-duty top rubber mat
- Gas Struts in lid for easy opening
- Reinforced lid construction with document holder



26" 3 Drawer Intermediate Chest

No. TI2612BK

No. TI2612RD

Features:

- Heavy-duty top rubber mat
- Anti slip drawer liners
- Heavy-duty ball bearing slides
- Heavy-duty lift handles
- Compact size



26" 3 Drawer Deep Intermediate Chest

No. TI2616BK

No. TI2616RD

Features:

- Heavy-duty top rubber mat
- Anti slip drawer liners
- Heavy-duty ball bearing slides
- Heavy-duty lift handles



26" 6 Drawer Roller Cabinet

No. TR2606BK

No. TR2606RD

Features:

- Soft close heavy-duty ball bearing slides, anti slip liners
- 2 Deep drawers with double slides
- Heavy-duty top rubber mat
- Colour coded handle, can be install from both sides
- Robust 5"x2" energy absorbing rubber racing casters, 2 with brakes



26" 8 Drawer Roller Cabinet

No. TR2608BK

No. TR2608RD

Features:

- Soft close heavy-duty ball bearing slides, anti slip liners.
- 2 Deep drawers with double slides
- Heavy-duty top rubber mat
- Colour coded handle, can be install from both sides
- Robust 5"x2" energy absorbing rubber racing casters, 2 with brakes

Colours available



PHANTOM BLACK (-BK)

RACING RED (-RD)



Combine: 1053mm x 460mm x 1615mm / 186kg



41" 9 Drawer Deep Top Chest

No. TC4109BK

No. TC4109RD

Features:

- Soft close heavy-duty ball bearing slides, anti slip liners.
- 1 Deep drawer with double slides
- Heavy-duty top rubber mat
- Gas struts in lid for easy opening
- Reinforced lid construction with document holder

1044mm x 452mm x 524mm / 71kg

41" 11 Drawer Roller Cabinet

No. TR4111BK

No. TR4111RD

Features:

- Soft close heavy-duty ball bearing slides, anti slip liners.
- 4 Deep drawers with double slides
- Heavy-duty top rubber mat
- Colour coded handle, can be install from both sides
- Robust 5"x2" energy absorbing rubber racing casters, 2 with brakes

1053mm x 460mm x 1092mm / 115kg



30" Heavy-Duty 4 Drawer Utility Cart

- No. GF34BK
- No. GF34BU
- No. GF34RD
- No. GF34GR
- No. GF34OR

Features:

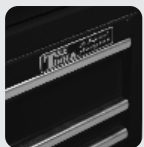
- Fully opening lid fitted with gas struts
- 4 Locking drawers with single tubular lock
- Slide & Glide fully extending ball-bearing drawer sliders provide smooth drawer action
- Integrated storage for screwdrivers, pry bars, & long extensions (upto 36")
- Easy assembly (Shipped flat packed)
792mm x 498mm x 988mm / 58kg

Godfather Utility Carts

General Features:

- All-steel structure is built to last, with a rust-resistant powder-coat finish
- Heavy-duty rubber racing casters, 2 with brake for easy quiet rolling
- Full height ABS plastic leg guards give protection in the work zone
- Grab handle can be mounted on either side of the unit

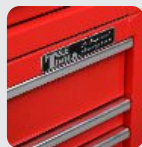
Colours Available:



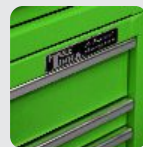
PHANTOM BLACK
(-BK)



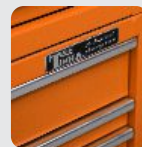
ROYAL BLUE
(-BU)



RACING RED
(-RD)



ACID GREEN
(-GR)



ELECTRIC ORANGE
(-OR)



30" Heavy-Duty 3 Level Utility Cart

- No. GF30BK
- No. GF30BU
- No. GF30RD
- No. GF30GR
- No. GF30OR

Features:

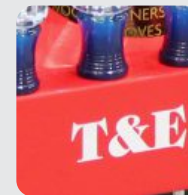
- Three 3"(75mm) deep trays
- Heavy duty matting for each level
- ABS plastic guards on corners offer protection
- Easy assembly (Shipped flat packed)
792mm x 499mm x 984mm / 31kg

Magnetic Tool Storage Accessories

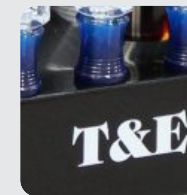
General Features:

- Top quality rubber coated magnets, to prevent surface scratching.
- Attaches easily to any tool box, tool cart or any metal surface
- Available in three different colours which matches **T&E Tools** top chests, roller cabinets and utility carts etc.

Colours Available



RACING RED



PHANTOM BLACK



ROYAL BLUE





Magnetic Can and Screwdriver Holder

No. 5976

No. 5977

No. 5978

Features:

- Will hold 3 aerosol cans with a maximum diameter of 70mm
- As well a holding aerosol cans there are slots at the front as well to hold either 7 Torx screwdrivers or 7 circular diameter items



Magnetic Glove / Tissue Dispenser

No. 5971

No. 5972

No. 5973

Features:

- For storage of standard size boxes of latex gloves or tissues up to 145mm wide
- Optional hanging holes for fixing in permanent locations



Magnetic Paper Towel Holder

No. 5981

No. 5982

No. 5983

Features:

- Holds most standard sized rolls of paper towels or shop towels
- Can be used vertically or horizontally



4Pc. Magnetic Parts Tray Set

No. 5986

No. 5987

No. 5988

Features:

- 4Pc. Magnetic Parts Tray Set is for safe keeping parts & tools from being misplaced or lost while working in the garage or workshop





Heavy-Duty Work Bench

No. WB2000RD

No. WB2000BU

General Features:

- Robust unit features two independently locking roller bearing drawers
- Extra heavy-duty work bench with a 3mm thickness steel bench
- Entire unit has factory finish with UV powder coating
- Extra thick full size rubber mat for work top
- Supplied flat packed, easy assembly

2000mm x 700mm x 871mm / 120kg

Godfather Series Specifications





Chrome Trim

Colours Available:

- Red
- Black
- Blue
- Green
- Orange

Godfather 76" Series

76" Godfather Hutch

Part No.	Colour	Width	Depth	Height	Weight
GF7601RD	Red	1932mm	770mm	665mm	120kg
GF7601BK	Black				
GF7601BU	Blue				
GF7601GR	Green				
GF7601OR	Orange				

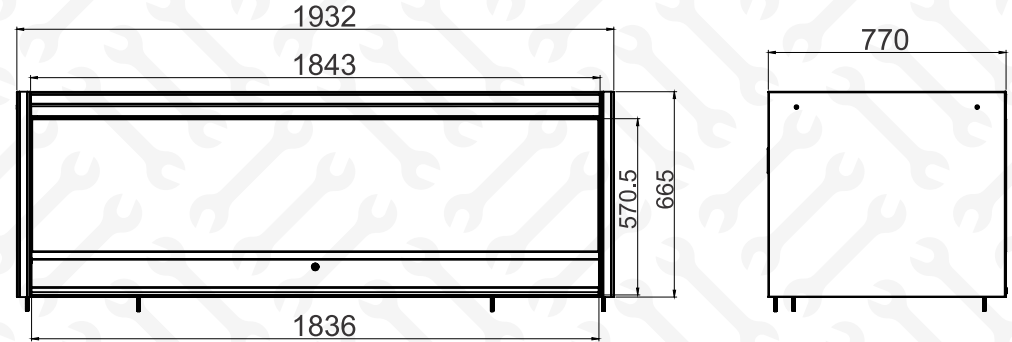
76" Godfather 22 Drawer Roller Cabinet

Part No.	Colour	Width	Depth	Height	Weight
GF7622RD	Red	1932mm	770mm	1107mm	500kg
GF7622BK	Black				
GF7622BU	Blue				
GF7622GR	Green				
GF7622OR	Orange				

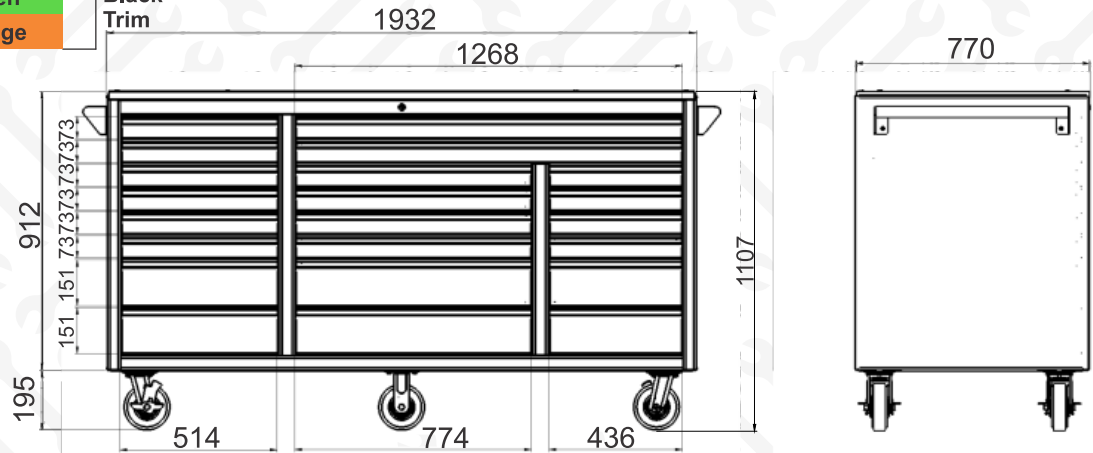
76" Godfather 4 Drawer Left & Right Hand Side Cabinet

Part No.	Colour	Width	Depth	Height	Weight
GF76L4RD	Red	528mm	770mm	1772mm	147kg
GF76L4BK	Black				
GF76L4BU	Blue				
GF76L4GR	Green				
GF76L4OR	Orange				
GF76R4RD	Red				
GF76R4BK	Black				
GF76R4BU	Blue				
GF76R4GR	Green				
GF76R4OR	Orange				

76" Godfather Hutch

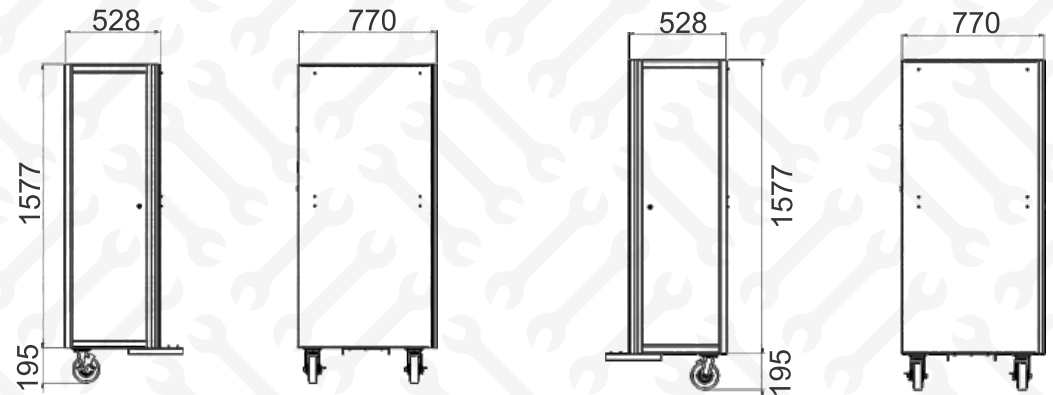


76" Godfather 22 Drawer Roller Cabinet



Left Hand Side Cabinet

Right Hand Side Cabinet

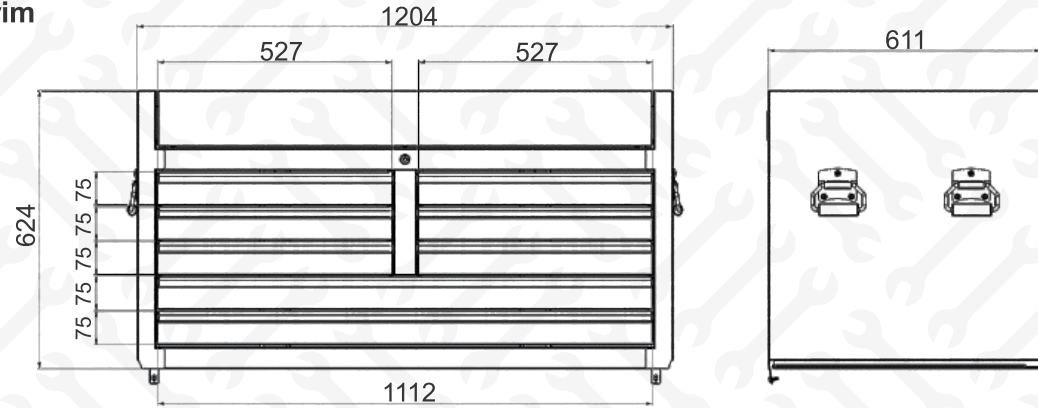




Colours Available:

Chrome Trim	Red	Black Trim
	Black	
	Blue	
	Green	
	Orange	

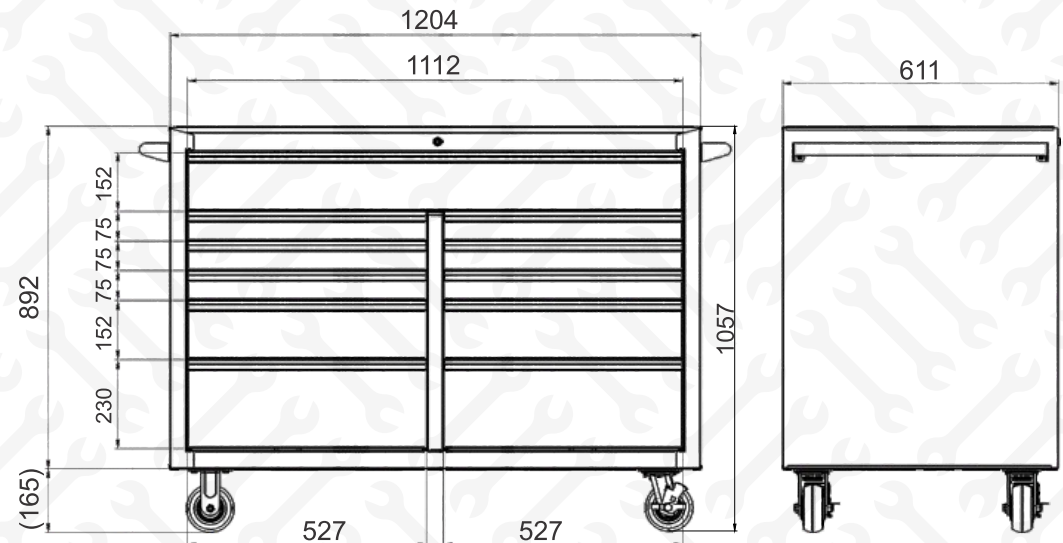
47" Godfather 8 Drawer Top Chest



Godfather 47" Series

47" Godfather 8 Drawer Top Chest					
Part No.	Colour	Width	Depth	Height	Weight
GF4708RD	Red	1204mm	611mm	624mm	130kg
GF4708BK	Black				
GF4708BU	Blue				
GF4708GR	Green				
GF4708OR	Orange				
47" Godfather 11 Drawer Roller Cabinet					
Part No.	Colour	Width	Depth	Height	Weight
GF4711RD	Red	1204mm	611mm	1057mm	190kg
GF4711BK	Black				
GF4711BU	Blue				
GF4711GR	Green				
GF4711OR	Orange				

47" Godfather 11 Drawer Roller Cabinet

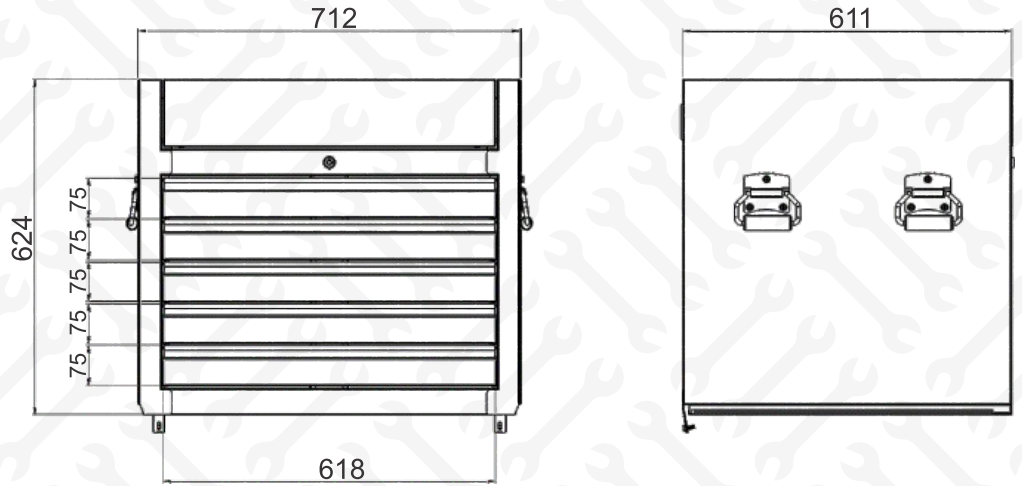




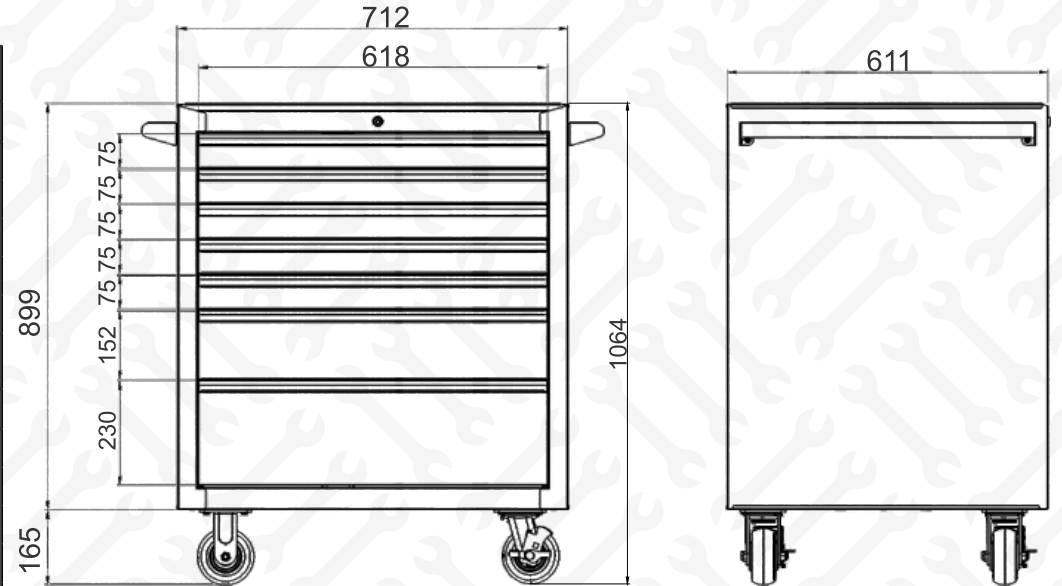
Colours Available:

Chrome Trim	Red	Black Trim
	Black	
	Blue	
	Green	
	Orange	

27" Godfather 5 Drawer Top Chest



27" Godfather 7 Drawer Roller Cabinet



Godfather 27" Series

27" Godfather 5 Drawer Top Chest

Part No.	Colour	Width	Depth	Height	Weight
GF2705RD	Red	712mm	611mm	624mm	80kg
GF2705BK	Black				
GF2705BU	Blue				
GF2705GR	Green				
GF2705OR	Orange				

27" Godfather 7 Drawer Roller Cabinet

Part No.	Colour	Width	Depth	Height	Weight
GF2707RD	Red	712mm	611mm	1064mm	120kg
GF2707BK	Black				
GF2707BU	Blue				
GF2707GR	Green				
GF2707OR	Orange				

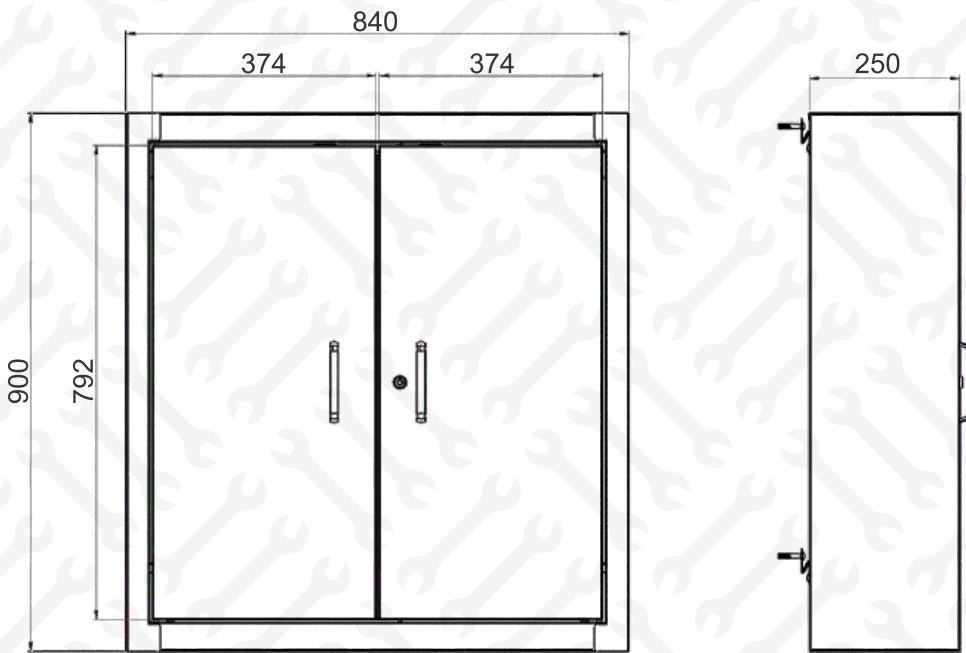


Colours Available:

- Red
- Black

32" Heavy-Duty Wall Cabinet

Part No.	Colour	Width	Depth	Height	Weight
WC32RD	Red	840mm	250mm	900mm	40kg
WC32BK	Black				

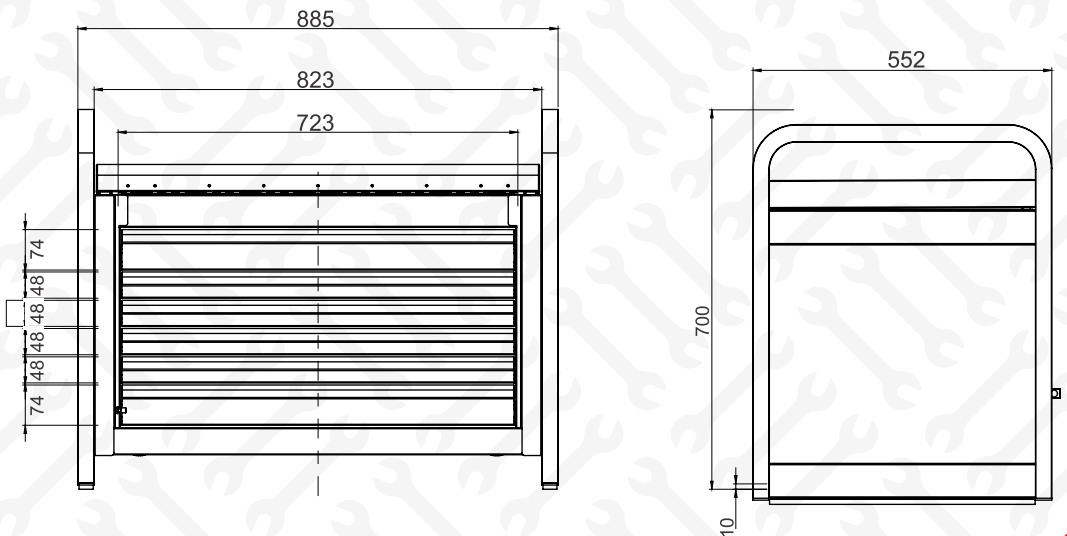


Colours Available:

- Red
- Black

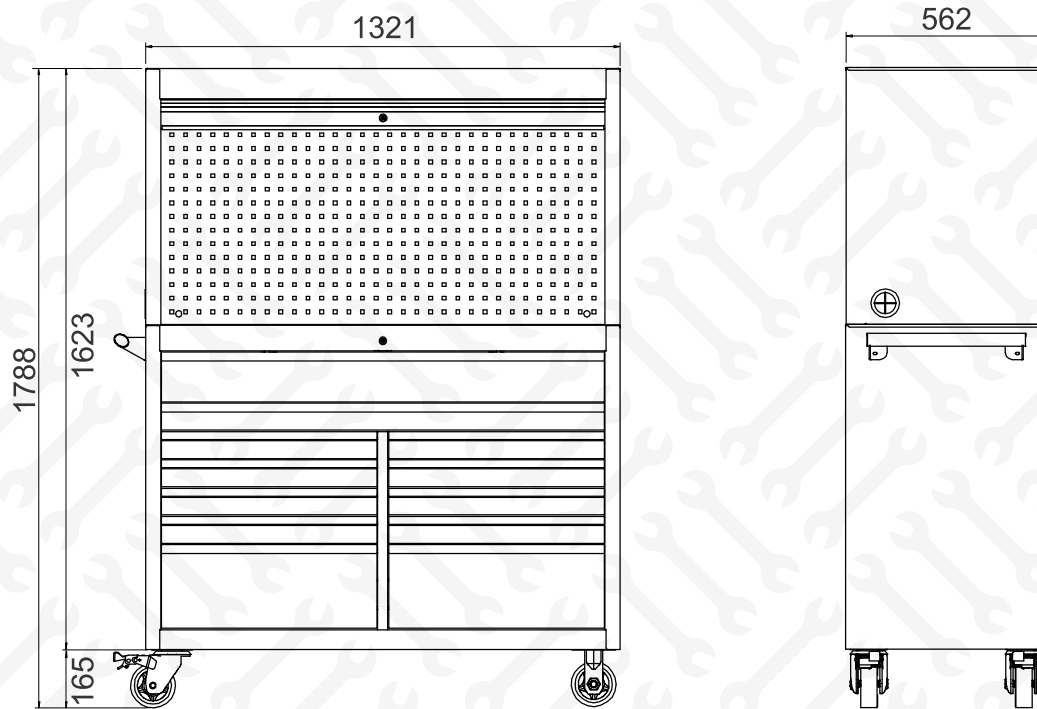
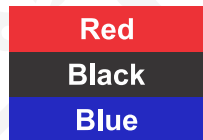
34" 6 Drawer Heavy-Duty Road Maintenance Tool Chest

Part No.	Colour	Width	Depth	Height	Weight
RB3406RD	Red	885mm	552mm	700mm	80kg
RB3406BK	Black				



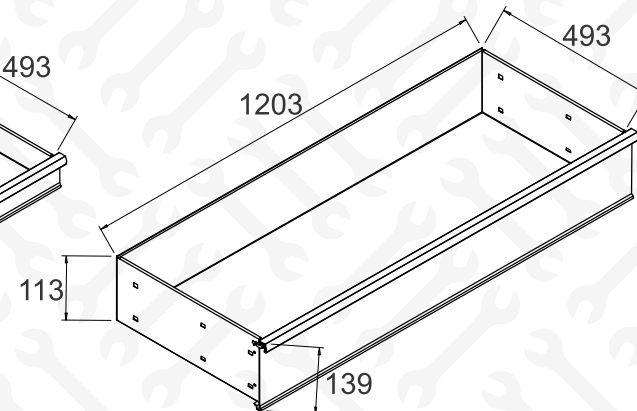
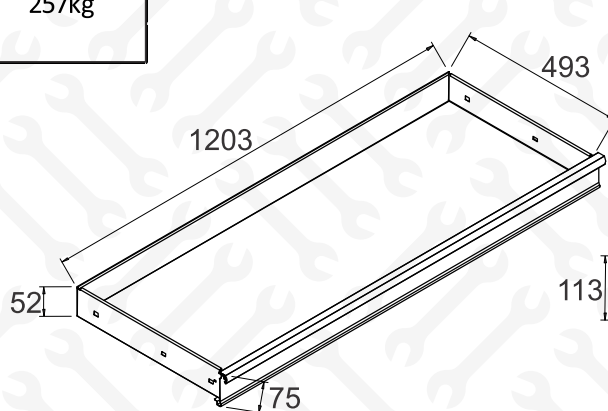
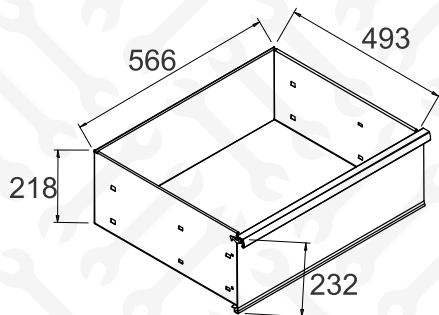
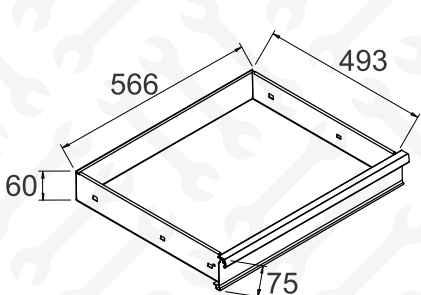


Colours Available:

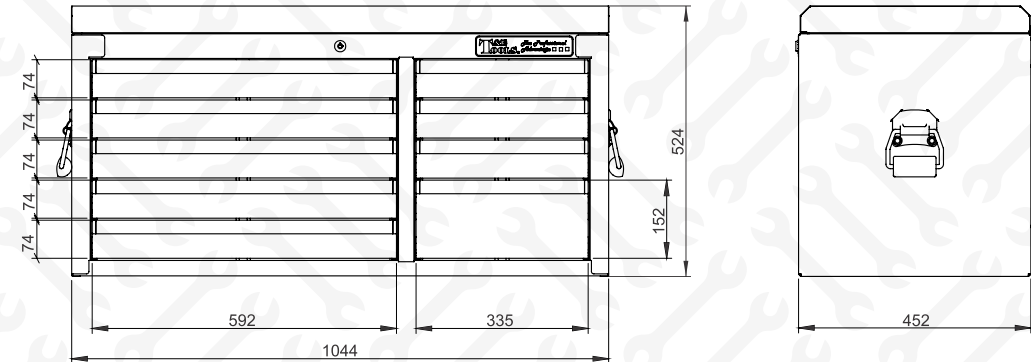


52" Tool Hutch & Cabinet Combo

Part No.	Colour	Width	Depth	Height	Weight
GF5212RD	Red	1321mm	562mm	1788mm	257kg
GF5212BK	Black				
GF5212BU	Blue				



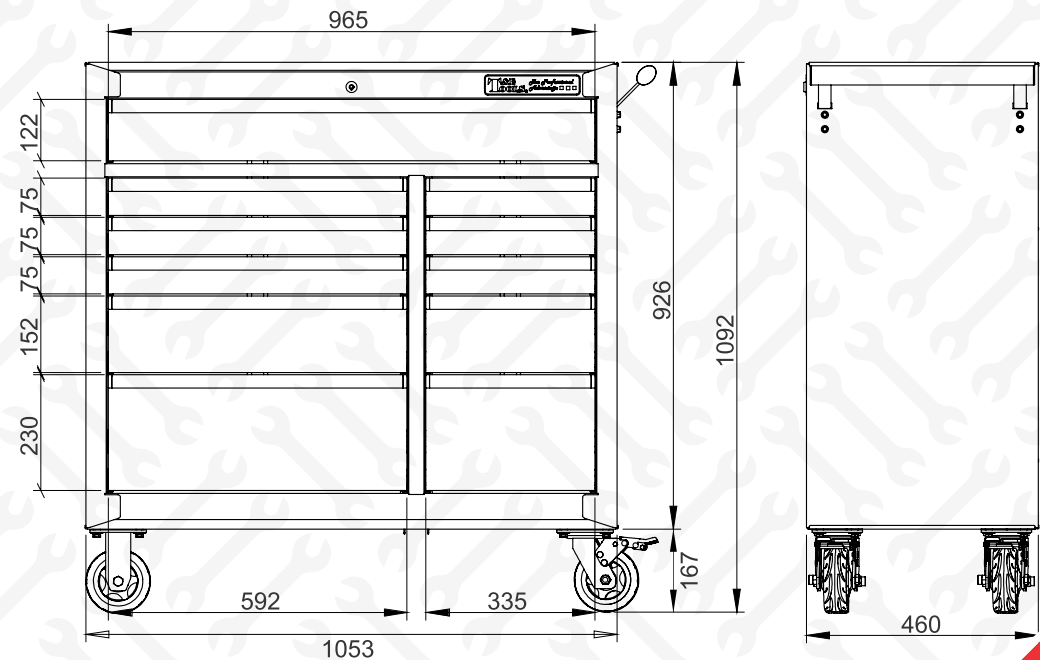
41" 9 Drawer Deep Top Chest



Colours Available:

- Red
- Black

41" 11 Drawer Roller Cabinet



Godfather Pro 41" Series

41" 9 Drawer Deep Top Chest					
Part No.	Colour	Width	Depth	Height	Weight
TC4108RD	Red	1044mm	452mm	524mm	71kg
TC4109BK	Black				
41" 11 Drawer Roller Cabinet					
Part No.	Colour	Width	Depth	Height	Weight
TC4111RD	Red	1053mm	460mm	1092mm	115kg
TC4111BK	Black				



Colours Available:



26" Godfather Pro

Part No.	Colour	Width	Depth	Height	Weight
TC2606RD	Red	660mm	312mm	381mm	27kg
TC2606BK	Black				

26" 6 Drawer Deep Top Chest

Part No.	Colour	Width	Depth	Height	Weight
TC2616RD	Red	660mm	412mm	576mm	42kg
TC2616BK	Black				

26" 12 Drawer Deep Top Chest

Part No.	Colour	Width	Depth	Height	Weight
TC2612RD	Red	660mm	412mm	485mm	47kg
TC2612BK	Black				

26" 3 Drawer Intermediate Chest

Part No.	Colour	Width	Depth	Height	Weight
TI2612RD	Red	669mm	318mm	324mm	19kg
TI2612BK	Black				

26" 3 Drawer Deep Intermediate Chest

Part No.	Colour	Width	Depth	Height	Weight
TI2616RD	Red	669mm	418mm	324mm	24kg
TI2616BK	Black				

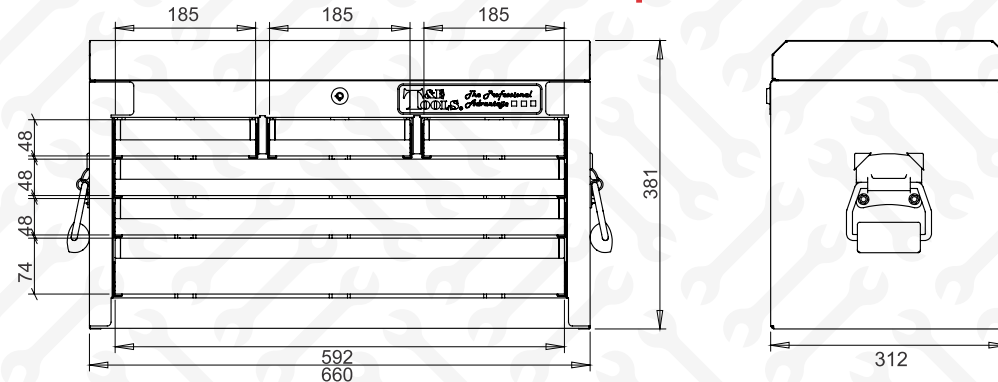
26" 6 Drawer Deep Roller Cabinet

Part No.	Colour	Width	Depth	Height	Weight
TR2606RD	Red	680mm	460mm	935mm	61kg
TR2606BK	Black				

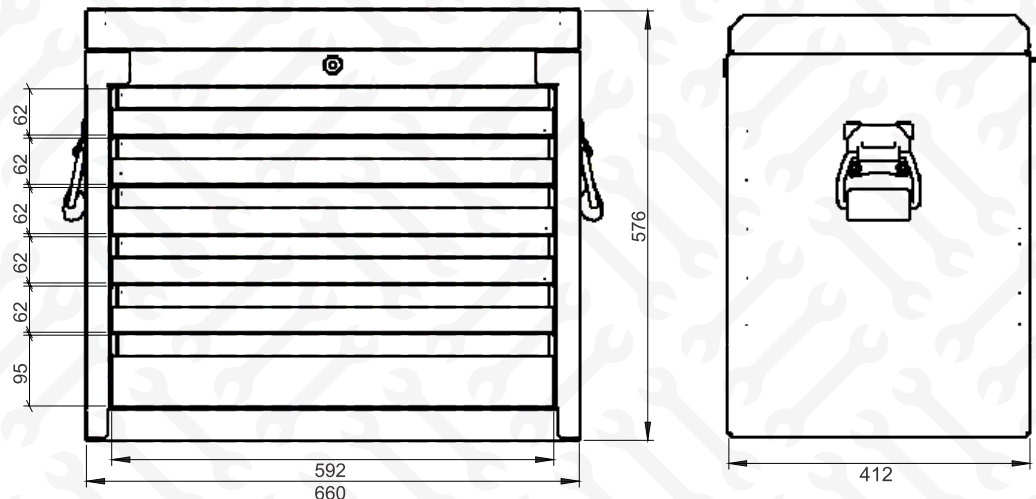
26" 8 Drawer Deep Roller Cabinet

Part No.	Colour	Width	Depth	Height	Weight
TR2608RD	Red	680mm	460mm	1090mm	72kg
TR2608BK	Black				

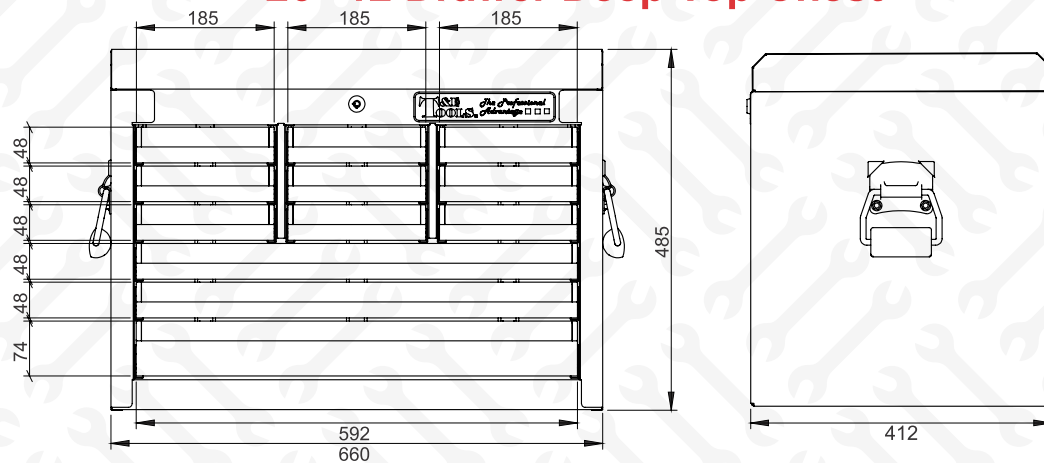
26" 6 Drawer Top Chest



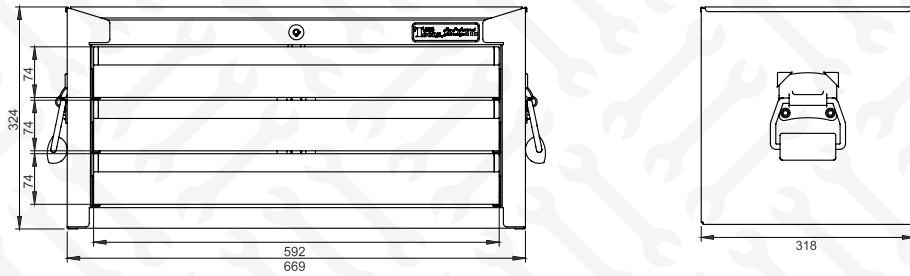
26" 6 Drawer Deep Top Chest



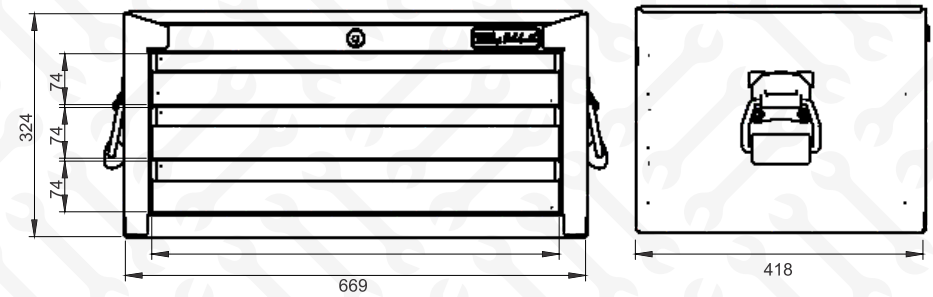
26" 12 Drawer Deep Top Chest



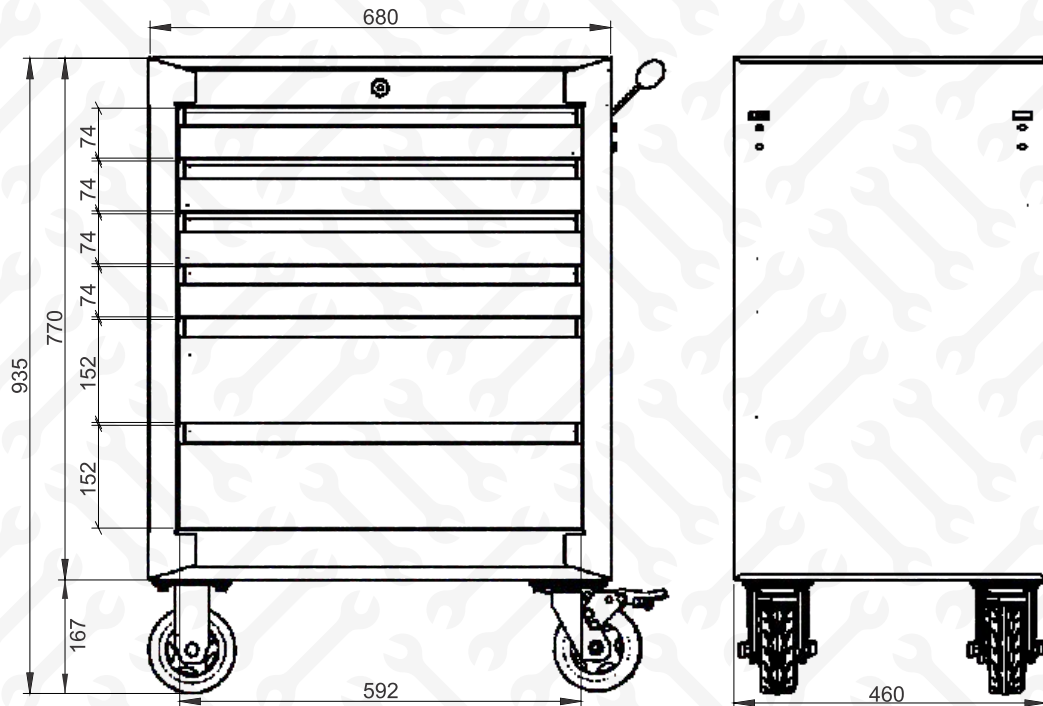
26" 3 Drawer Intermediate Chest



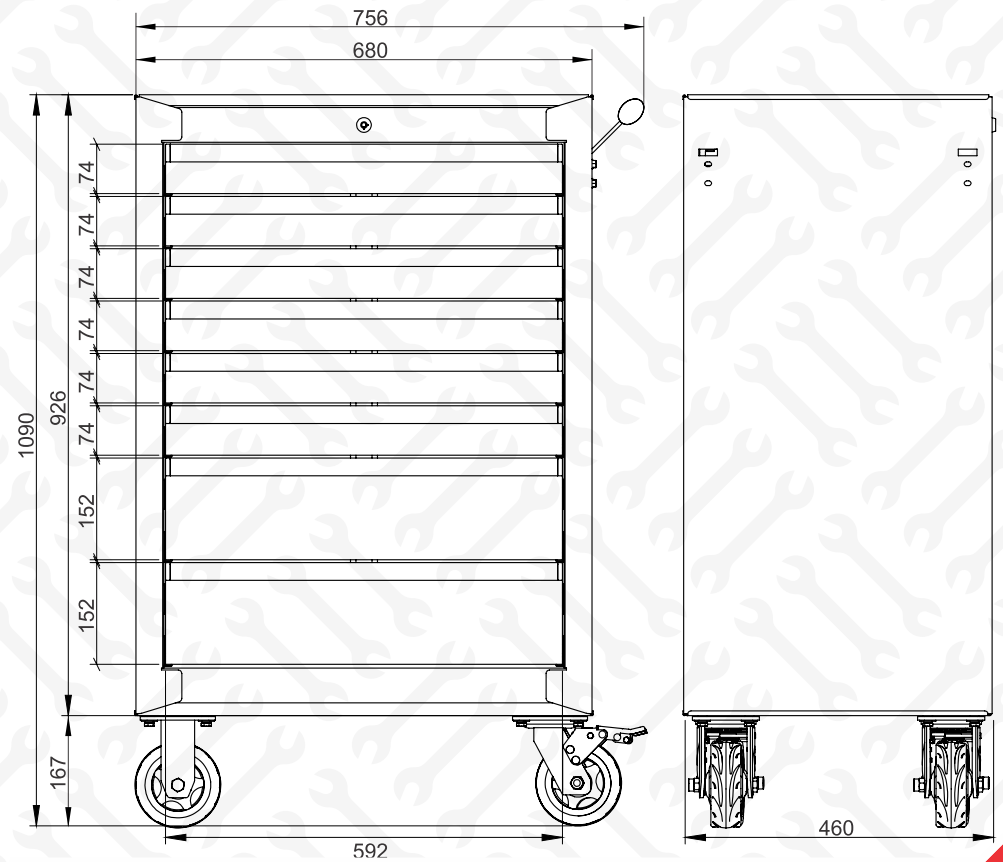
26" 3 Drawer Deep Intermediate Chest



26" 6 Drawer Deep Roller Cabinet



26" 8 Drawer Deep Roller Cabinet





Colours Available:



Colours Available:

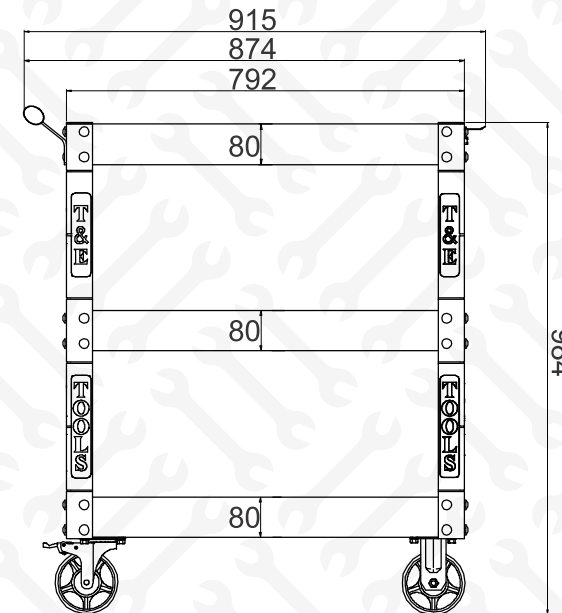
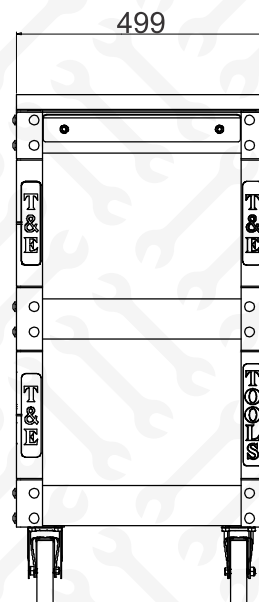
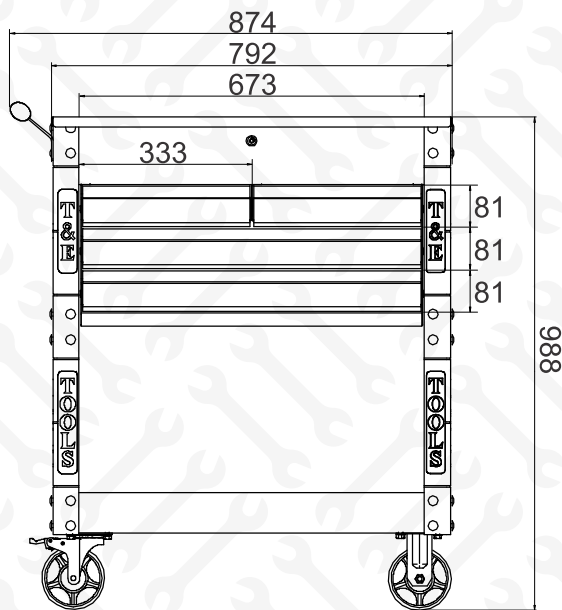
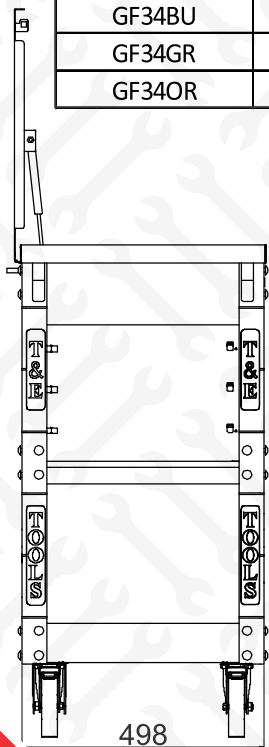


30" Heavy-Duty 4 Drawer Utility Cart

Part No.	Colour	Width	Depth	Height	Weight
GF34RD	Red	792mm	498mm	988mm	58kg
GF34BK	Black				
GF34BU	Blue				
GF34GR	Green				
GF34OR	Orange				

30" Heavy-Duty 3 Level Utility Cart

Part No.	Colour	Width	Depth	Height	Weight
GF30RD	Red	792mm	499mm	984mm	31kg
GF30BK	Black				
GF30BU	Blue				
GF30GR	Green				
GF30OR	Orange				



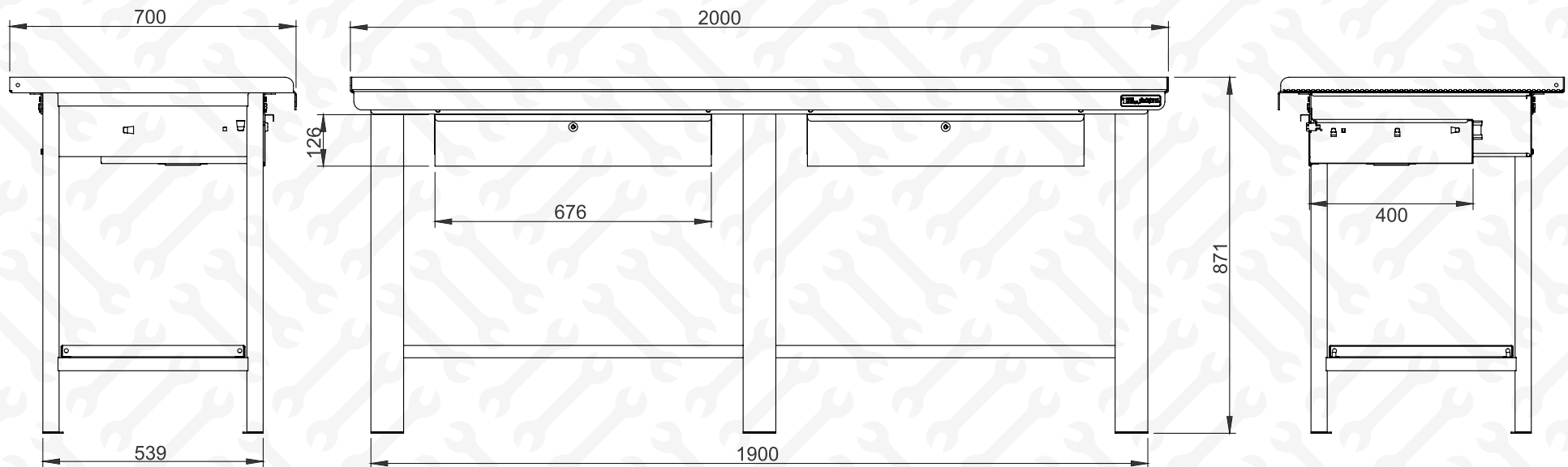


Colours Available:

- Red
- Blue

Heavy-Duty Work Bench

Part No.	Colour	Width	Depth	Height	Weight
WB2000RD	Red	2000mm	700mm	871mm	120kg
WB2000BU	Blue				



Australia



T&E Tools Pty Ltd.
158 Bungaree Road, Pendle Hill, NSW 2145
PO Box 20, Pendle Hill NSW 2145

Australia
Ph: 02 8868-3300
Fax: 02 9636-9300
E-mail: sales@tetools.com
Website: www.tetools.com

New Zealand



Sulco Limited
1 Orb Avenue, Manukau, Auckland 2104
PO Box 98845, Manukau City, Auckland 2241

New Zealand
Ph: 09 250-3560
Toll Free: 0800 800 488
Fax: 09 250-1650
E-mail: sales@sulco.co.nz
Website: www.sulco.co.nz